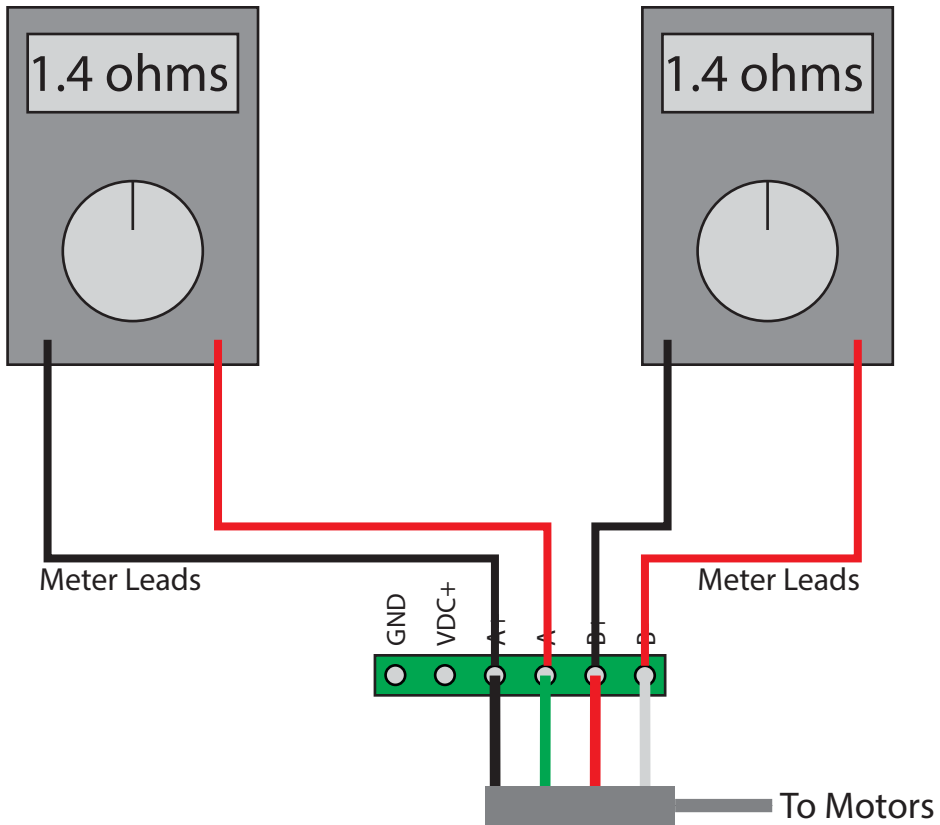


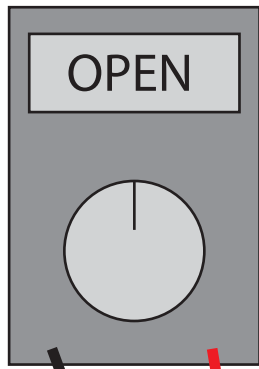
Set meter to Ohms. If there is a scale, set to low scale.

A+ to A- should ohm out to 1.4 ohms

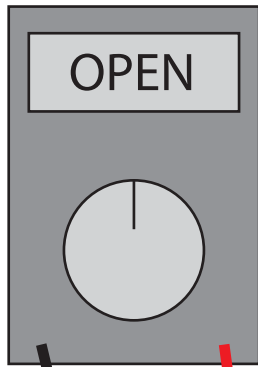
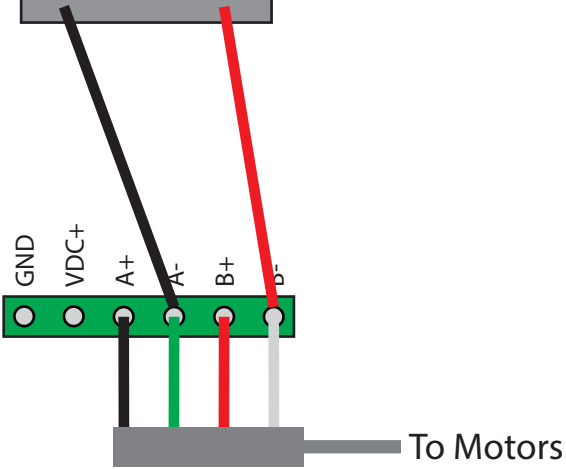
B+ to B- should ohm out to 1.4 ohms

An open Circuit on either indicates a connector issue or a possible wiring issue.





Next, we need to cross check the A phase to the B phase.  
Ohm A- to B-. This should read open, no continuity.



Ohm A+ to B-. This should read open, no continuity.

